

**Models:**

1/2", 3/4", 1", 1 1/4", 1 1/2", 2", 2 1/2", 3", 4"

**Finishes:** EZ, GC

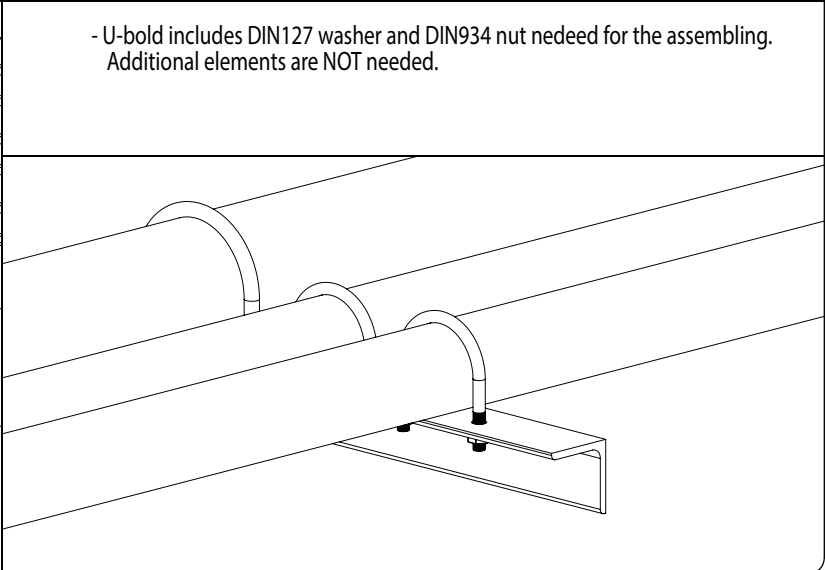
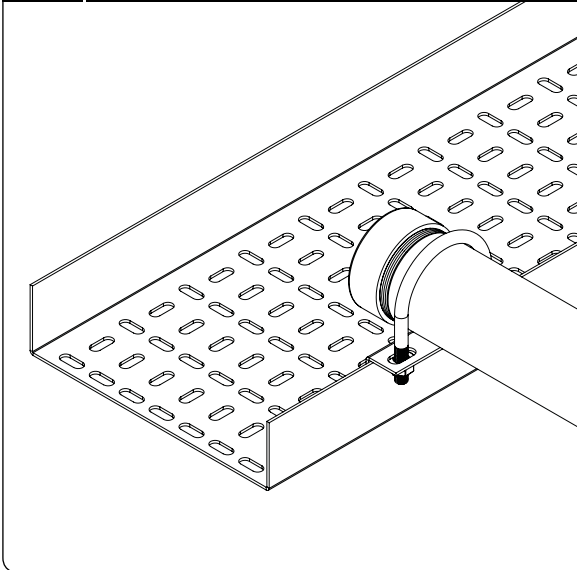
**Characteristics:**

- Metallic
- Non-Flame propagating component
- Electrically conductive component
- With metallic coating. Resistance to Corrosion:
  - Coating EZ: class 2
  - Coating HDG: class 6
- Comply with 2011/65/CE RoHS Directive
- Dimensions:

Ø (inches)	A (mm)		B (mm)	C (mm)	M (mm)	
	EZ	HDG			EZ	HDG
1/2"	30	32	17	42	6	8
3/4"	35	37	19	50	6	8
1"	42	44	24	62	6	8
1 1/4"	51	53	24	73	6	8
1 1/2"	59	59	26	80	8	8
2"	71	71	26	91	8	8
2 1/2"	85	85	35	117	10	10
3"	101	101	35	130	10	10
4"	127	127	35	155	10	10

\* Note: Tolerances ± 2 mm.

**ASSEMBLING INSTRUCTIONS**



- U-bolts include DIN127 washer and DIN934 nut needed for the assembling. Additional elements are NOT needed.